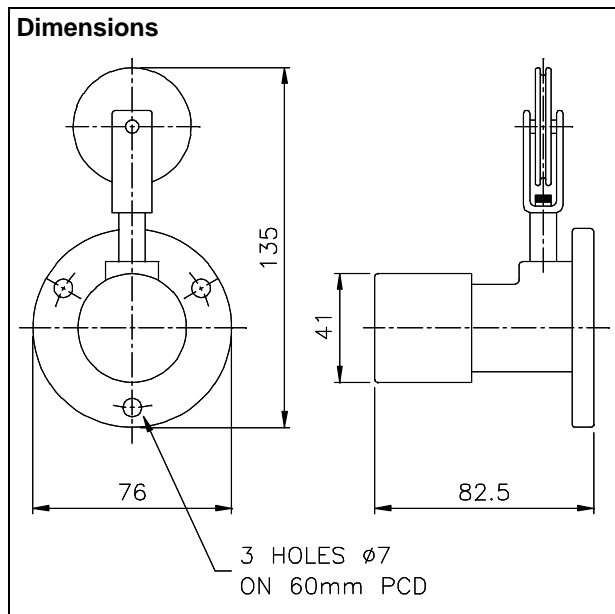


## MANUAL QUICK RELEASE MECHANISM

The Manual Quick Release Mechanism is designed for use with our free-fall fire valves. The steel cable from the valve is looped around the pulley and is released if the button is pressed allowing the valve arm to fall.

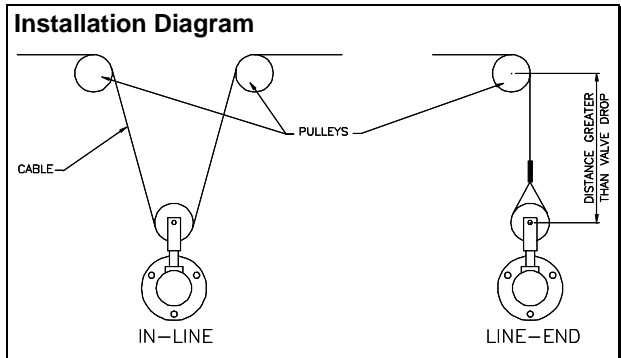


### Technical Specification

Material	Red painted cast aluminium body, plastic button, brass pulley.
Dimensions	135 x 76 x 82.5mm
Fixing Centres	60mm PCD, $\phi 7$ mm
Force to release	40N approx.
Weight	0.3kg

### TEST

The mechanism should be tested once installed to make sure that the pulley releases cleanly.



### INSTALLATION

The mechanisms should be situated in an accessible location adjacent to each exit and must be clearly marked.

The three mounting holes should be used to securely fasten the mechanism to a vertical surface.

The cable should be fitted around the pulley such that when the pulley is released and lifts out vertically, the cable should go slack. See the installation diagram.

If you have any questions or need any help then please contact our sales office.