

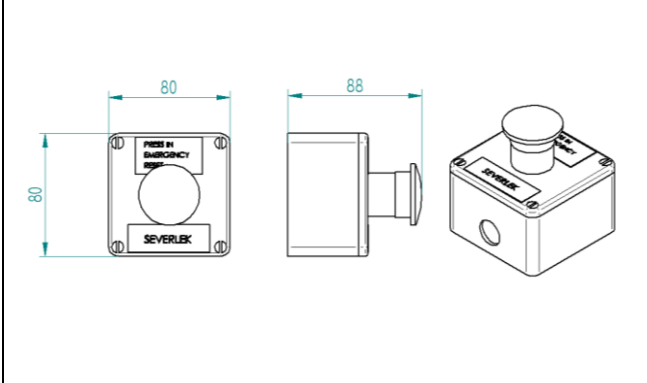
SEVERLEK SWITCH: 10903801



The Severlek emergency button has a variety of uses where it is required to have a latching push button switch to sound an alarm or de-activate equipment.

The switch has both a normally open and a normally closed contact pair which both change state on the switch being pressed.

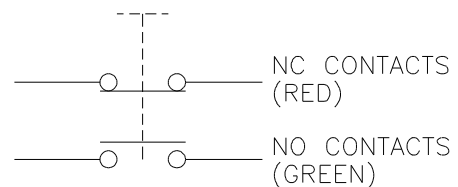
Dimensions



Technical Specification

Enclosure	Grey epoxy coated diecast aluminium with red plastic button.
Dimensions	80 x 80 x 88mm
Fixing Dimensions	50 x 65mm Ø5.6mm
Protection rating	IP65
Switch rating:	3 A at 240 V 6 A at 120 V 0.1 A at 600 V 0.27 A at 250 V 0.55 A at 125 V 1.2 A at 600 V
Wire size	2x 1.5mm ²
Conduit Connection	2 x holes 1 with blanking plug both ISO 429248 cable gland 20 mm
Weight	0.4kg

Wiring Diagram



OPERATION

Once pressed the switch latches into position. To reset the switch, twist the knob in a clockwise direction.

INSTALLATION

The switch should be situated in an accessible location and must be clearly marked as an emergency button.

Two screw holes are provided in the base of the unit to allow wall mounting together with pre-drilled conduit connections in both ends of the enclosure.

Electrical connection of the switch should be carried out by competent persons in accordance with the wiring diagram.

If you have any questions or need any help then please contact our sales office.