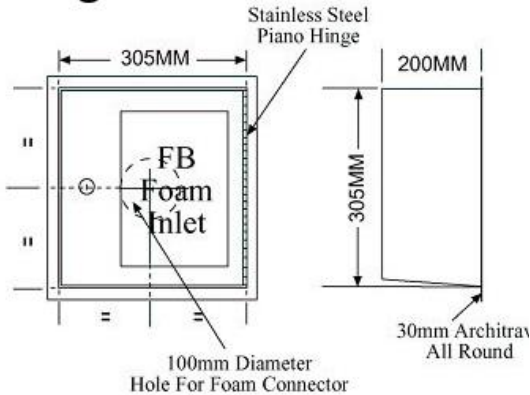
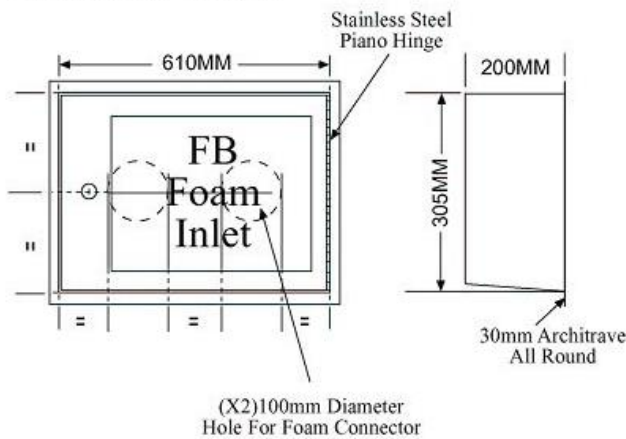


## FOAM INLET CABINETS

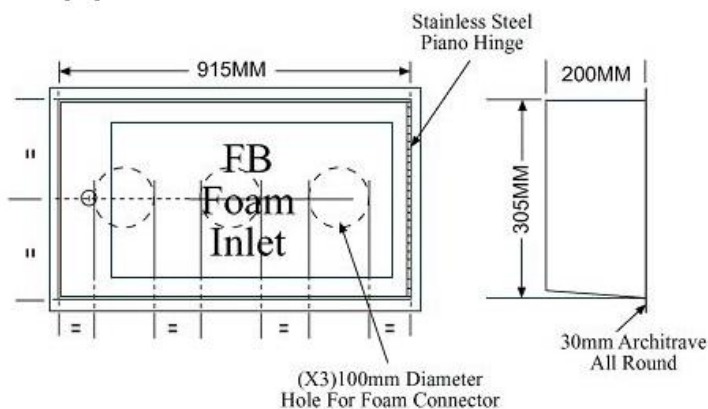
### Single Inlet



### Double Inlet



### Tripple Inlet



#### Technical Specification

Foam inlet cabinets house the connections which allow fire-fighters to pump foam down the foam circuit onto a fire. They are required when it is known that the local fire brigade uses mechanical foam generators. Foam inlet cabinets are designed and manufactured to conform to BS5041 Part 5.

<b>Material:</b>	16 swg Zintec Steel
<b>Finish:</b>	Powder Coated Ral 3002
<b>Architrave:</b>	30mm Wide
<b>Glass:</b>	6mm Georgian Wired
<b>Lettering:</b>	PRV
<b>Lock:</b>	Yale Style Slam Lock
<b>Hinge:</b>	Stainless Steel Piano

#### Part numbers

Single Inlet	10905701
Double Inlet	10905702
Tripple Inlet	10905703

#### Options

Manufactured to your project dimesnions.  
Powder Coated to your colour specifications.  
Available in stainless steel satin polished front faces.

#### Acessories

Foam inlet Spreader