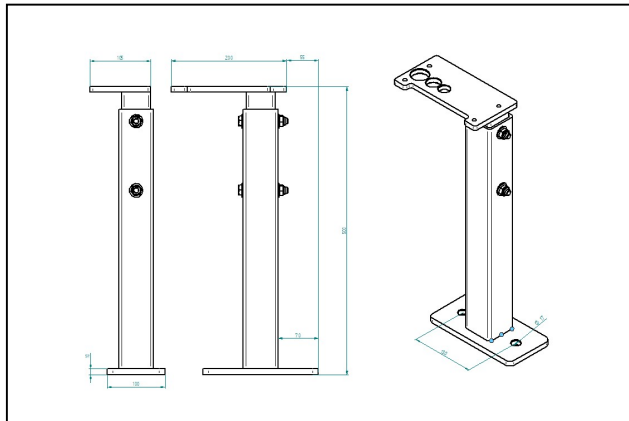


## 10903758 Free Fall Mounting Bracket

½" to 1" Horizontal Free Fall Fire Valve adjustable  
Mounting Bracket complete with pipe mounts.

### Technical Specification

Material:	Powder Coated mild steel
Colour:	Black
Fixing Centres:	130mm
Mounting Holes:	17mm
Fixing (Concrete Subbase):	Anchor Bolt (Not Supplied)
Fixing (Steel subase):	Bolt or Weld
Height (Floor to bracket):	500mm to 650mm (Adjustable 30mm increments)
Floor plate thickness:	10mm
Bulk Head connection:	BSPB with 60° Cone



Part Number	Description
10903758-1	Horizontal Mounting Bracket with 1/2" pipe mounts
10903758-2	Horizontal Mounting Bracket with 3/4" pipe mounts
10903758-3	Horizontal Mounting Bracket with 1" pipe mounts