

40901201 FLOAT SWITCH

The Float Switch are designed for use with the Landon Kingsway Filguard unit. (Extended rod versions are available).

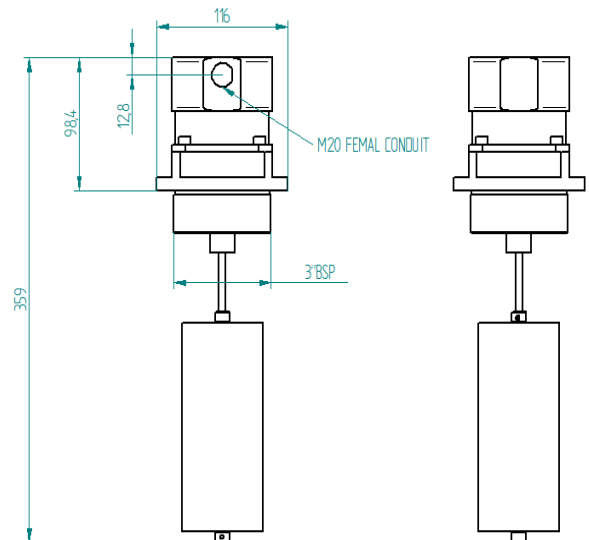
The switch unit requires no power supply and has no adjustable parts.



Technical Specification

| | |
|---------------------|--|
| Materials | Stainless Steel Float, Aluminium housing. |
| Dimensions | see diagrams |
| Protection Rating | IP65 |
| Mounting connection | 3" BSP |
| Liquid switch-point | 100mm above base of float (depending on s.g. of liquid) |
| Switch Lifetime | >10 ⁶ operations |
| Contact Rating | 16A max. |
| Weight | Standard: 2.6Kg |

Dimensions



INSTALLATION

The float switch **MUST** be mounted in the vertical position into a 3" BSP socket at the top of the tank to be sensed. The tank need not be empty of liquid.

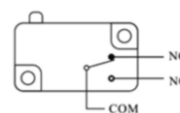
Electrical connection of the unit should be carried out by competent persons.

OPERATION

The switch mechanism relies on the stainless steel sealed float being raised by the liquid in the tank when near full. When the liquid level falls the float falls by gravity.

If you have any problems or need any help, please contact our sales office.

ELECTRICAL WIRING



Terminal 1: Common
Terminal 2: Normally Closed
Terminal 3: Normally Open

Electrical connection of the unit should be carried out by competent persons.

**EXTENDED VERSIONS
AVAILABLE CONSULT
SALES FOR DETAILS**