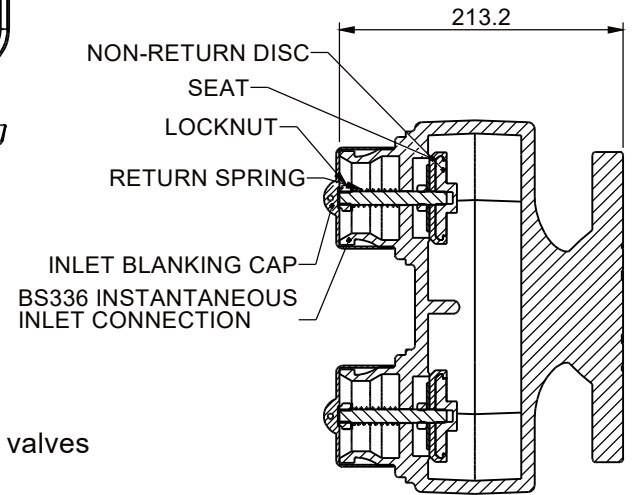
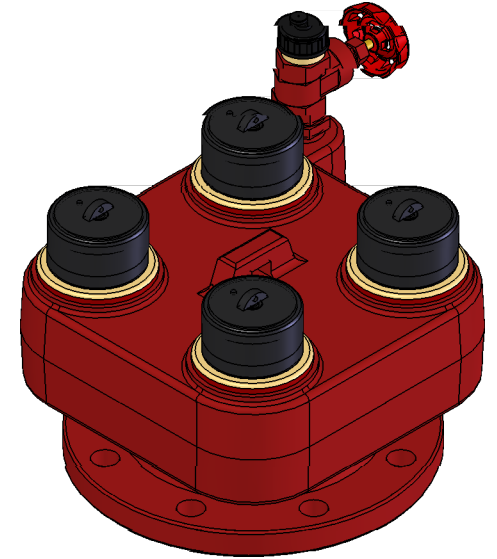
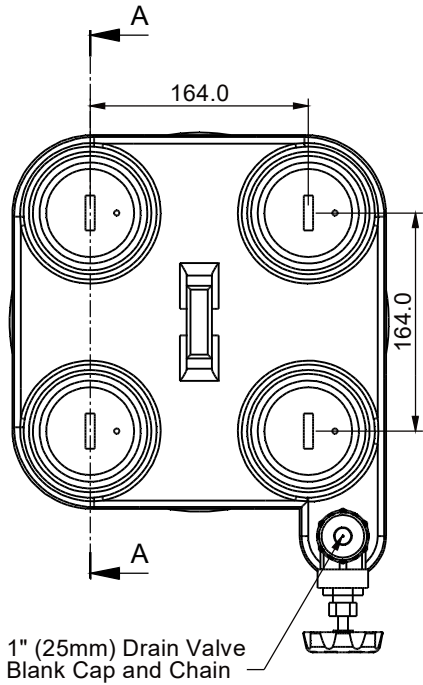
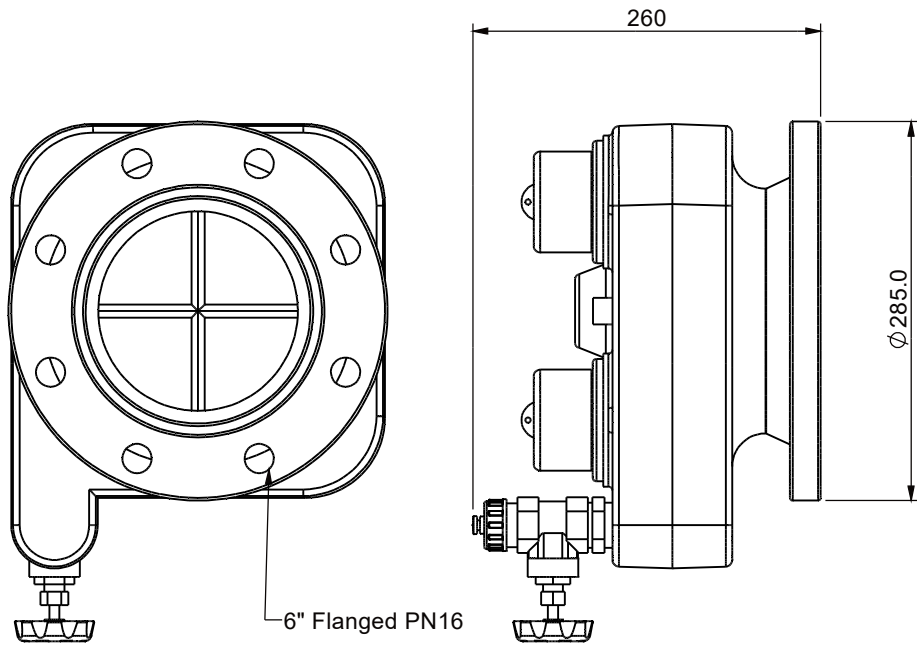


S:\alcon-L\KISSUED\LK995\99020735.SLDDRW - RELEASED



SECTION A-A

**Four-way Inlet Breeching**

Four-way inlet breeching valve used with a 150mm diameter rising pipe which serves two outlets on each floor. The breeching is fitted with four instantaneous male connections with four non-return valves and a 25mm drain valve.

The connection onto the dry riser pipework is 150mm, flanged PN16  
 Designed and constructed to BS5041-3 horizontal or vertical.  
 Hydrostatically tested to 20Bar, with the non-return valves checked at 1.7Bar

ISSUE	DATE	MODIFICATION
1	12/12/2011	FIRST ISSUE

ALL DIMENSIONS ARE IN MILLIMETRES U.O.S.  
 GENERAL TOLERANCES :-  $\pm 0.15$

MACHINE AT  
 REMOVE ALL SHARP EDGES AND BURRS  
 ALL DIAMETERS TO BE CONCENTRIC  
 SCREW THREADS TO BS 3643-6g/6H

TITLE	6" 4 WAY BREACHING VALVE PN16 FLANGE
MATERIAL	
FINISH	N/A

DRAWN	PJD
CHECKED	PA
APPROVED	PA
SCALE	1:2 (A1)

DRAWING NUMBER		99020735	
<b>MIDLAND-ACS</b>	<b>alcon</b> SOLENOID VALVES	ITT Flow Control Ltd www.alconsolenoids.com www.midland-acs.com	