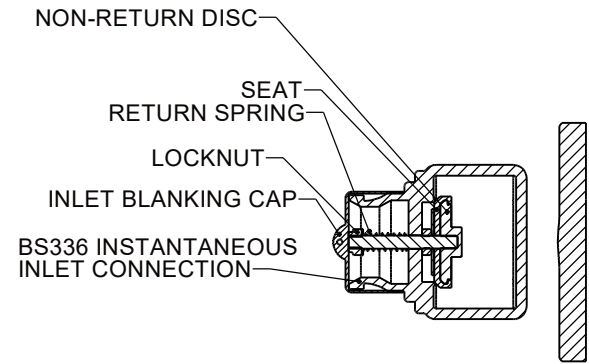


Two-way Inlet Breeching

Two-way inlet breeching valve used with a 100mm diameter rising pipe which serves two outlets on each floor. The breeching is fitted with two instantaneous male connections with two non-return valves and a 25mm drain valve.

The connection onto the dry riser pipework is 100mm, flanged BS10
 Designed and constructed to BS5041-3 horizontal or vertical.
 Hydrostatically tested to 20Bar, with the non-return valves checked at 1.7Bar



SECTION A-A

ISSUE	DATE	MODIFICATION
1	20/12/2011	FIRST ISSUE

ENF-003-01

ALL DIMENSIONS ARE IN MILLIMETRES U.O.S. GENERAL TOLERANCES :- ±0.15		TITLE 2 WAY INLET BREACHING - 4" FLANGED OUTLET (BS10)	DRAWN PJD	DRAWING NUMBER LK15133	
MACHINE AT REMOVE ALL SHARP EDGES AND BURRS ALL DIAMETERS TO BE CONCENTRIC SCREW THREADS TO BS 3643-6g/6H		MATERIAL N/A	CHECKED PA	APPROVED PA	
		FINISH N/A	SCALE 1:2 (A1)		
				ITT Flow Control Ltd www.alconsolenoids.com www.midland-acs.com	