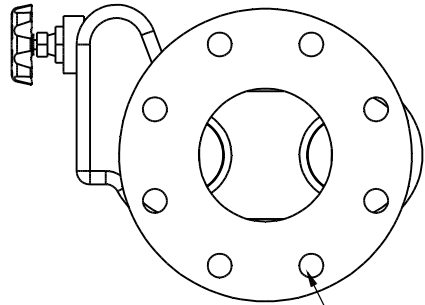
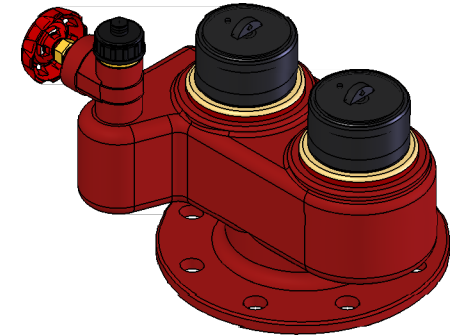
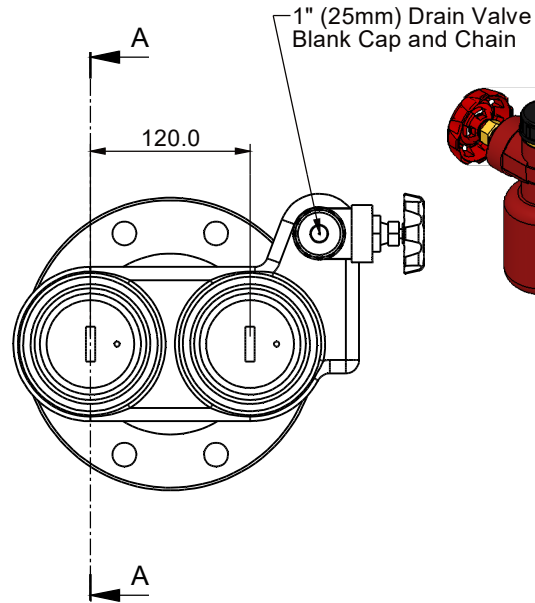
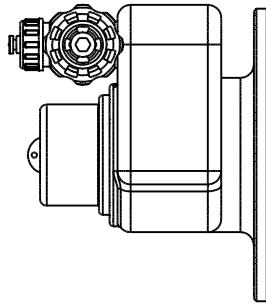


S:\alcon-LK15135\U001\K15135.SLDDRW - RELEASED



4" Flanged PN16

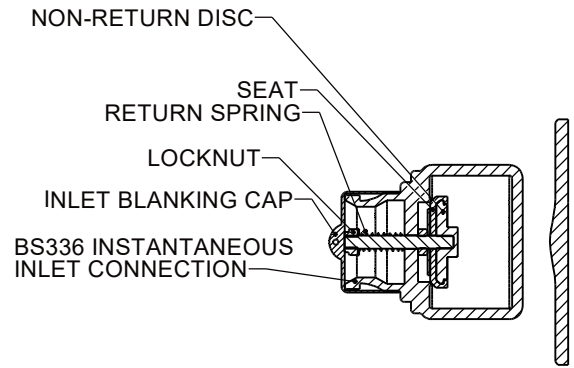


Two-way Inlet Breeching

Two-way inlet breeching valve used with a 100mm diameter rising pipe which serves two outlets on each floor. The breeching is fitted with two instantaneous male connections with two non-return valves and a 25mm drain valve.

The connection onto the dry riser pipework is 100mm, flanged PN16

Hydrostatically tested to 22.5Bar, with the non-return valves checked at 1.7Bar
Paint Colour RED RAL 3000



SECTION A-A

ISSUE	DATE	MODIFICATION
2	07/12/2012	
1	08/03/2012	FIRST ISSUE

ALL DIMENSIONS ARE IN MILLIMETRES U.O.S.
GENERAL TOLERANCES :- ±0.15

MACHINE AT
REMOVE ALL SHARP EDGES AND BURRS
ALL DIAMETERS TO BE CONCENTRIC
SCREW THREADS TO BS 3643-6g/6H

TITLE	2 WAY INLET BREACHING - 4" FLANGED OUTLET (PN16)
MATERIAL	
FINISH	N/A

DRAWN	PJD
CHECKED	PJD
APPROVED	PJD
SCALE	1:2 (A1)

DRAWING NUMBER		LK15135	
MIDLAND-ACS	alcon SOLENOID VALVES	ITT Flow Control Ltd www.alconsolenoids.com www.midland-acs.com	