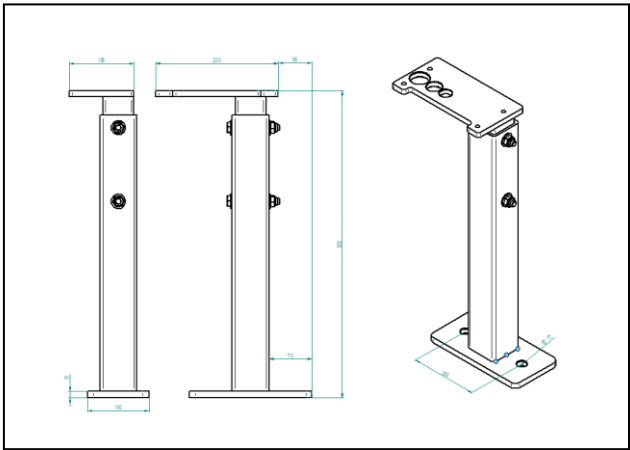


10903758 & 10903758-SB Free Fall Mounting Bracket & Switch

Free Fall Fire Valve Mounting Bracket and Position Switch
Horizontal 10903758 & 10903758-SB.

The Free Fall Fire Valve Mounting Bracket for Horizontal mounting applications simplifies installation of the Free Fall fire valve. It reduces installation time and costly bespoke designs that can encounter inherent problems. The bracket can be fitted to screwed valves from 1/2" to 1" in size, it is constructed from mild steel and is painted black in colour and is height adjustable. A volt free position switch mounted to separate bracket can be incorporated capable of up to 6A switching.

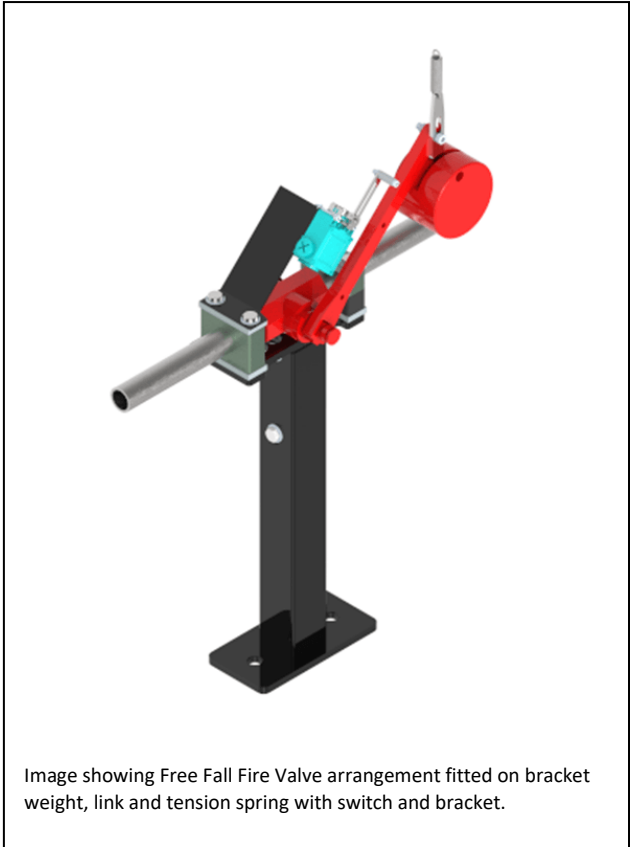


Technical Specification – Switch and bracket
Part number: 10903758-SB

Pole and Throw Configuration	DPDT
Normal State Configuration	2NO/2NC
IP Rating	IP67
Maximum Current	6A
Housing Material	Die Cast Zinc
Maximum AC Voltage	300V
Maximum DC Voltage	250V
Connection Type	PG13.5
Minimum Operating Temperature	-40°C
Standards Met	CCC, CE, CSA C22.2 No. 14, EN/IEC 60947-5-1, UL 508
Maximum Operating Temperature	+85°C

Technical Specification - Bracket

Material:	Powder Coated mild steel
Colour:	Black
Fixing Centres:	130mm
Mounting Holes:	17mm
Fixing (Concrete Subase):	Anchor Bolt (Not Supplied)
Fixing (Steel subase):	Bolt or Weld
Height (Floor to bracket):	500mm to 650mm (Adjustable 30mm increments)
Floor plate thickness:	10mm



Mounting Stand Only Part Number	Description
10903758-1	Horizontal Mounting Bracket with 1/2" pipe mounts
10903758-2	Horizontal Mounting Bracket with 3/4" pipe mounts
10903758-3	Horizontal Mounting Bracket with 1" pipe mounts