

EN331 Gas Approved Ball Valves

SFF Series ball valves are EN331 Gas Approved shut-off ball valves, they are a PN16 Flanged split-body type ball valve with the body manufactured in ductile iron. The ball is a floating type. The ball valve design features an ISO 5211 interface which allows the installation of a wide range of actuators.

The SFF Series Ball Valves are full and straight bore this reduces gas turbulences and minimizing head loss.



Design

- Face-to-face: EN558/1 ISO 5752
- Flanges: EN1092 ISO 7005, ANSI B16.5 #150
- Design: EN 1983, EN12516, ISO 5211
- Marking: EN19

Accessories

- Stem extension for thermal insulation
- Kit ISO 5211 flange
- Kit lockable operation lever
- Kit limit switches for ON/OFF position indicator Actuators
- Double acting and single acting pneumatic actuators
- On request: limit switches, position indicator
- Electric actuators
- Gear box

Technical Specification

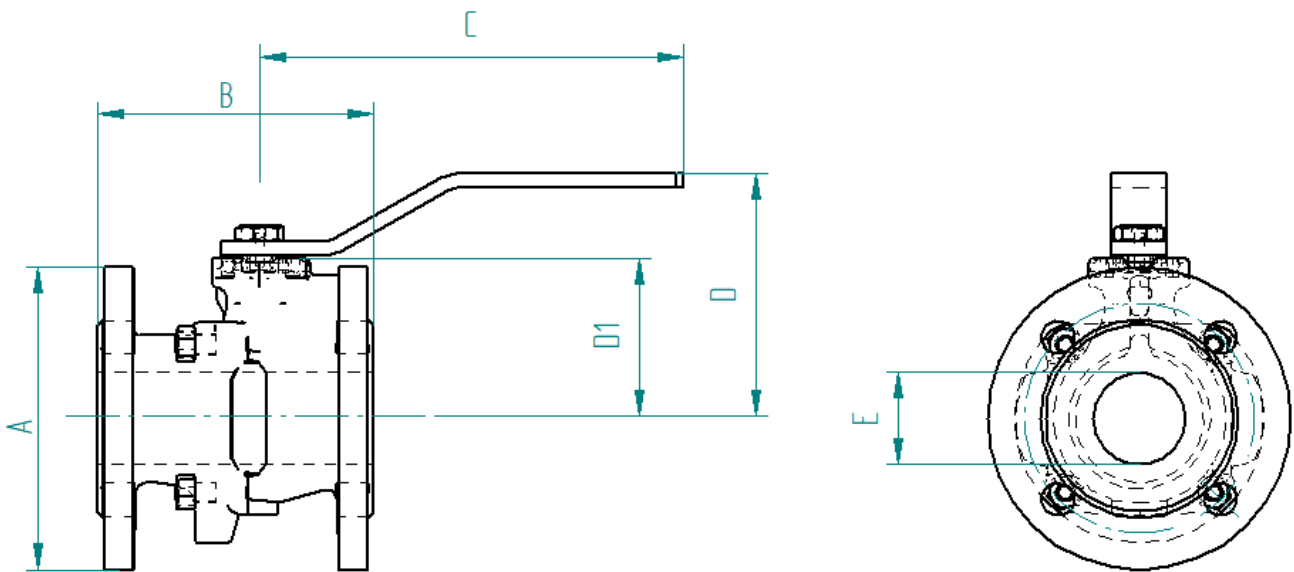
Body Material	Ductile iron EN GJS 400-15
Ball and Stem	Brass Chrome plated
CuZn40Pb2	
Ball Seat	Carbon Reinforced PTFE
Elastomers	NBR
Retaining Ring	Stainless Steel 302
Nuts Bolts Washers	Carbon Steel Galvanised
Handle	Carbon Steel Galvanised
External Finish	Powder Coated
Maximum Pressure	16 Bar
Temperature	-10°C ÷ 70°C
Valve Rotation	90° (¼ turn)
Flange Spec	BS4504, PN16

100% Tested in accordance with EN12266 Cat A ISO 5208 Cat A PED directive Compliant 2014/68/UE

Ball valve DVGW certified for gas to EN13774 for gas distribution systems.

Conforms to AS4617:18 for use on natural gas (NG), simulated natural gas (SNG), town gas (TG), tempered liquefied petroleum gas (TLP) and liquefied petroleum gas (LPG) in vapour phase.

EN331 Gas Approved Ball Valves



Valve Part Number	Valve Size	Connection	A	B	C	D	D1	E	Weight (Kg)
SFF/15	½"	Flanged PN16	95	115	95	84	50.5	15	2.6
SFF/20	¾"	Flanged PN16	105	120	105	84	52	20	3.3
SFF/25	1"	Flanged PN16	115	125	115	96	59	25	4.2
SFF/32	1 ¼"	Flanged PN16	140	130	140	101	64	32	5.8
SFF/40	1 ½"	Flanged PN16	150	140	150	125	78.5	40	7.5
SFF/50	2"	Flanged PN16	165	150	165	135	87	50	9
SFF/65	2 ½"	Flanged PN16	185	170	185	143	95	63	10.5
SFF/80	3"	Flanged PN16	200	180	200	165	118	76	15.5
SFF/100	4"	Flanged PN16	220	190	220	180	132.5	95	18.5
SFF/125	5"	Flanged PN16	250	200	250	225	165	120	28
SFF/150	6"	Flanged PN16	285	210	285	243	182.5	145	38.5